

REVISIONS	BY

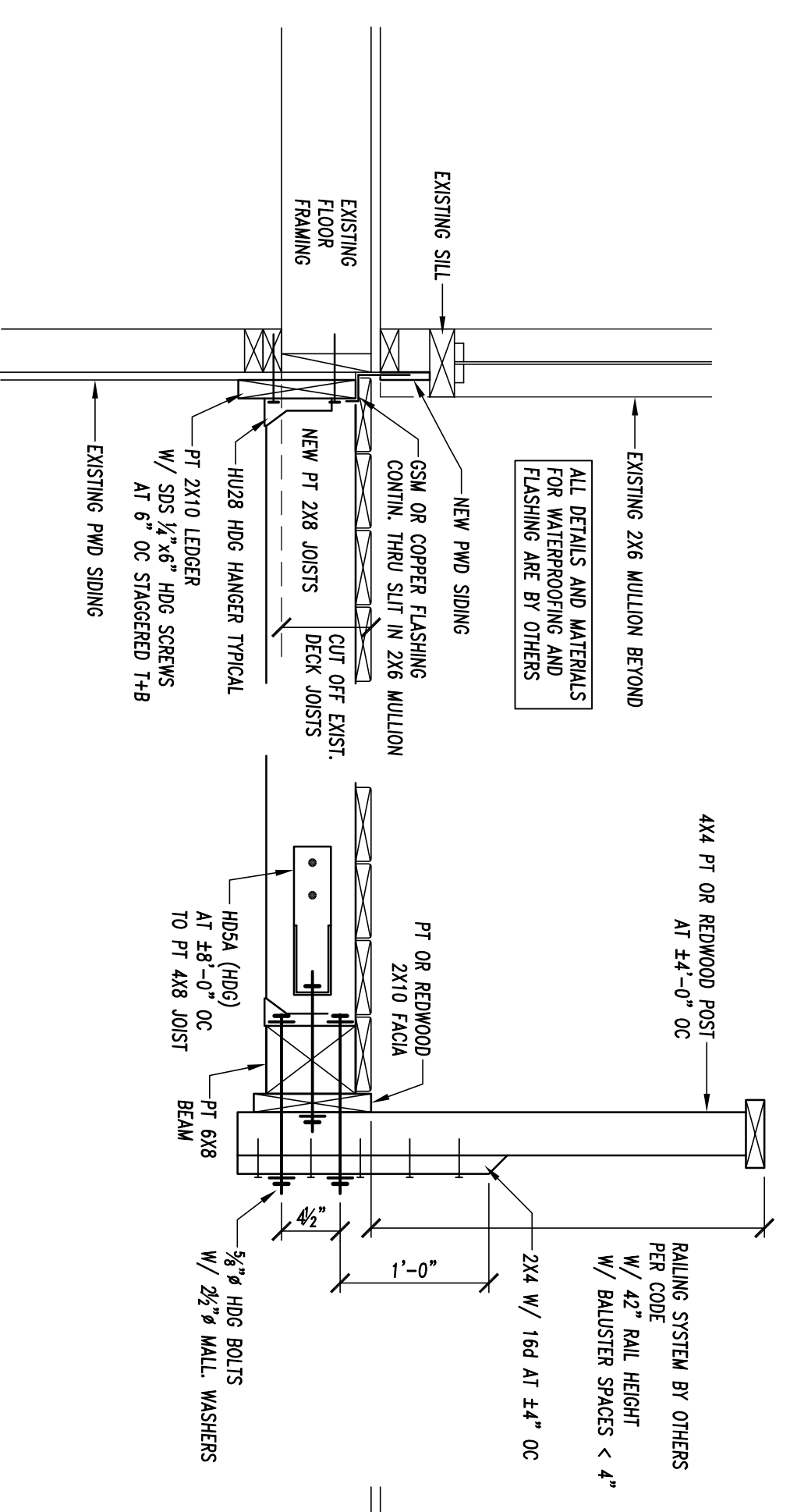
THESE PLANS, DETAILS AND NOTES ARE THE PROPERTY OF LARSEN ENGINEERING, INC. AND MAY NOT BE USED OR COPIED WITHOUT IT'S WRITTEN PERMISSION.

**LARSEN ENGINEERING, INC.**  
 200 GATE FIVE ROAD, SUITE 206  
 SAUSALITO, CA 94965  
 PHONE: 415 332-7754 FAX: 415 332-5969

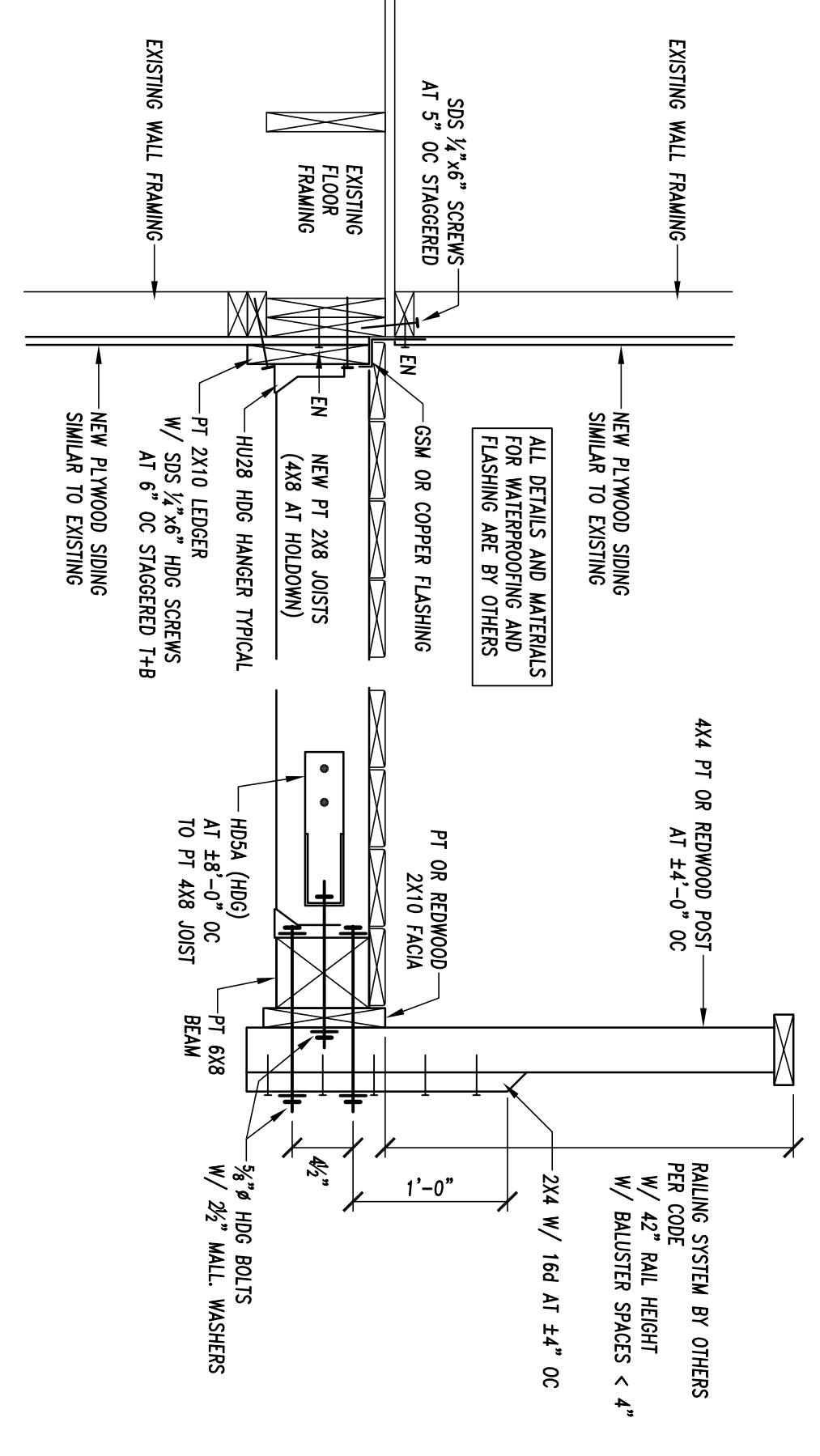
**FRIDL RESIDENCE**  
 222 CLEVELAND AVENUE  
 MILL VALLEY, CA

REPAIR OF EXISTING EXTERIOR DECKS  
 FRAMING AND FOUNDATION DETAILS

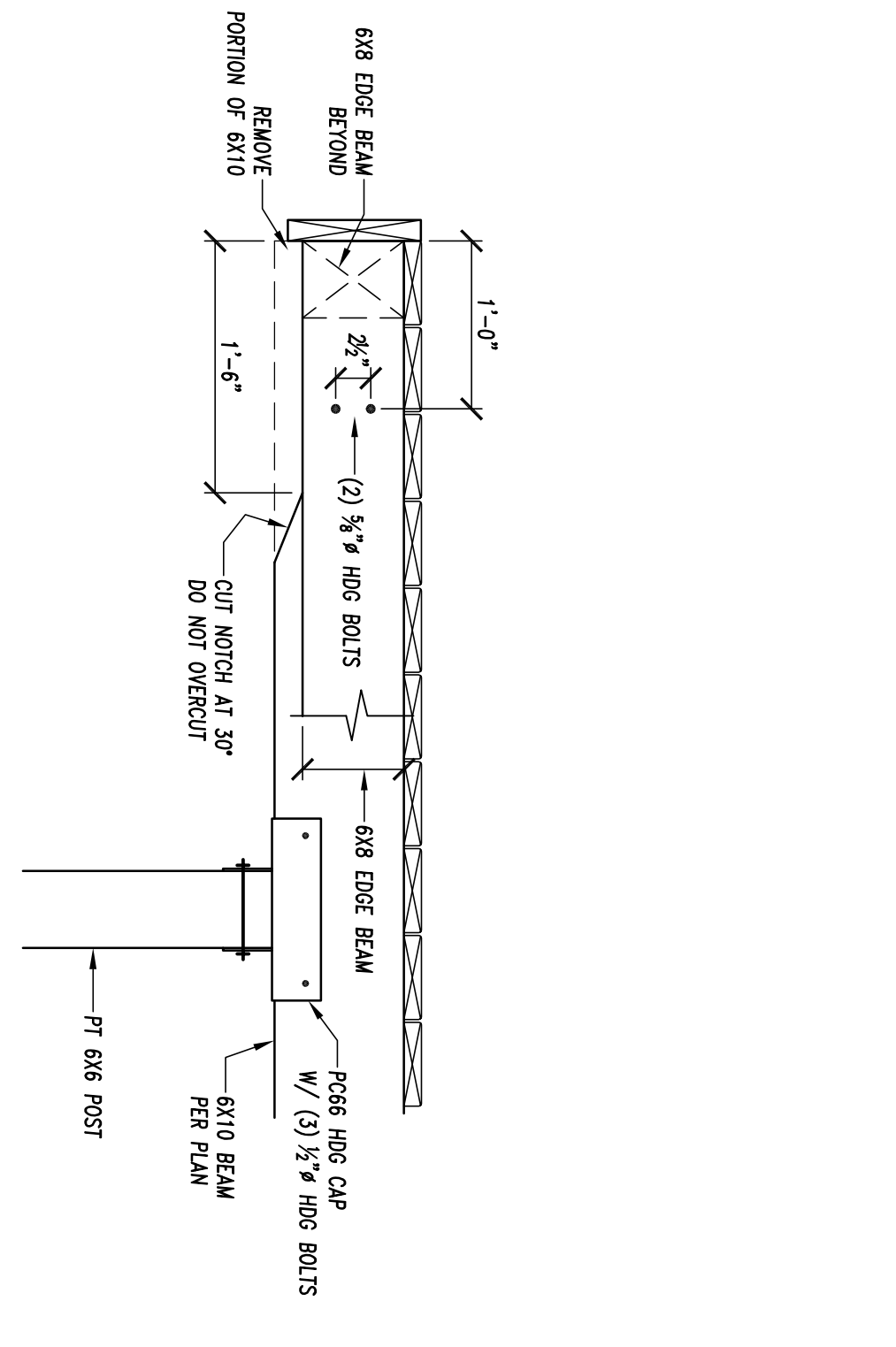
DATE: MAY 5, 2008  
 SCALE: 1" = 1'-0"  
 DRAWN: HL  
 JOB: F0533  
 SHEET: S2



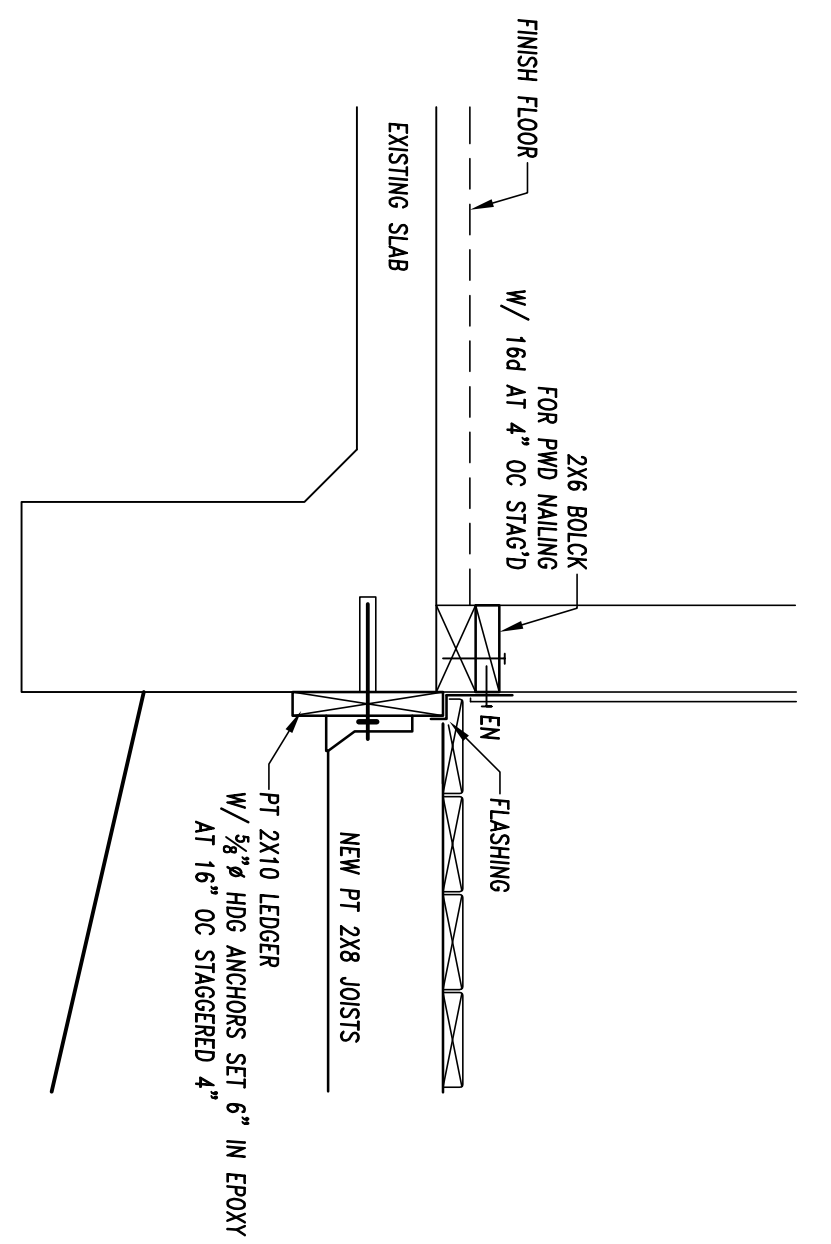
A SECTION AT NEW UPPER DECK SUPPORT



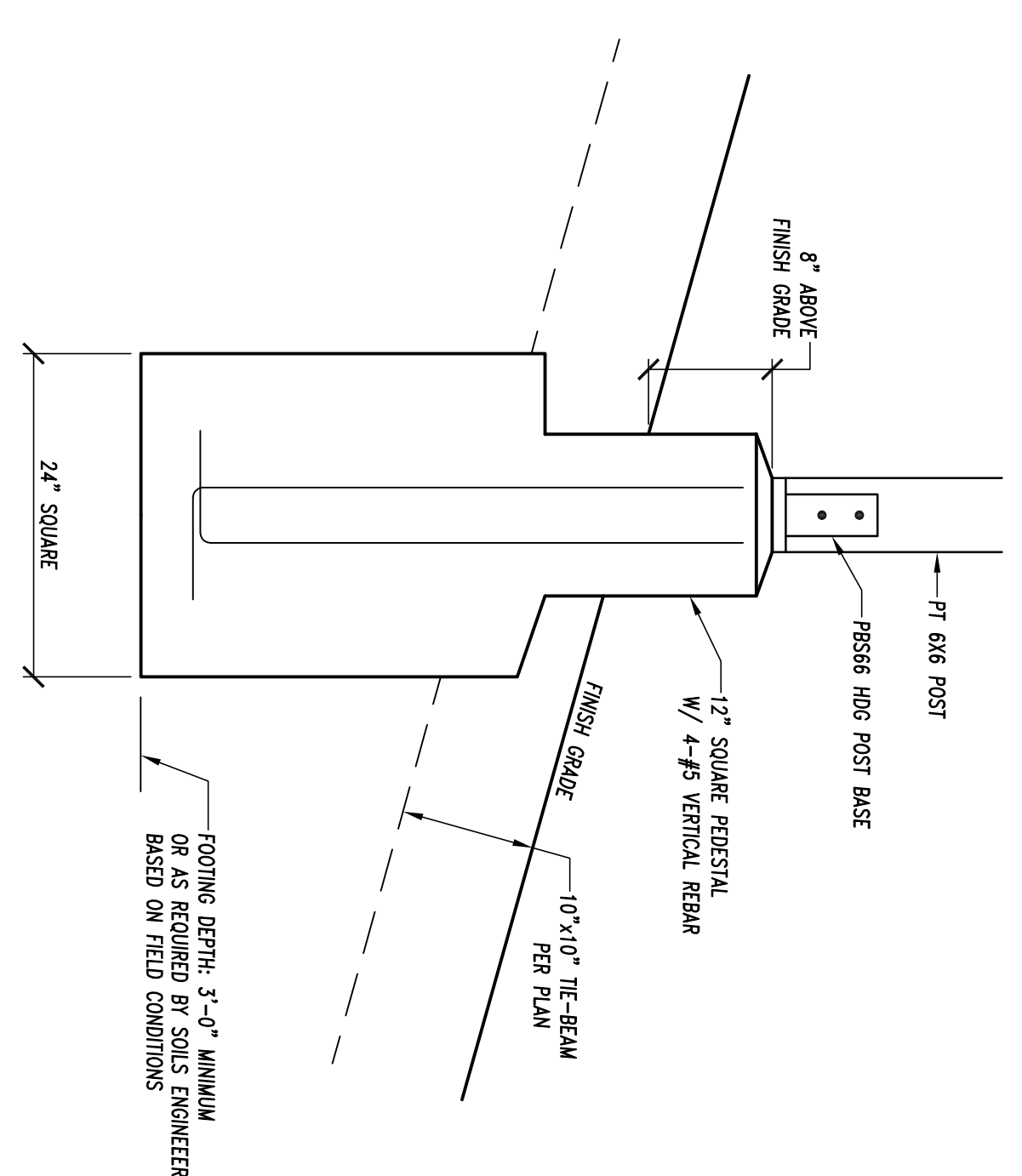
B SECTION AT NEW UPPER DECK SUPPORT



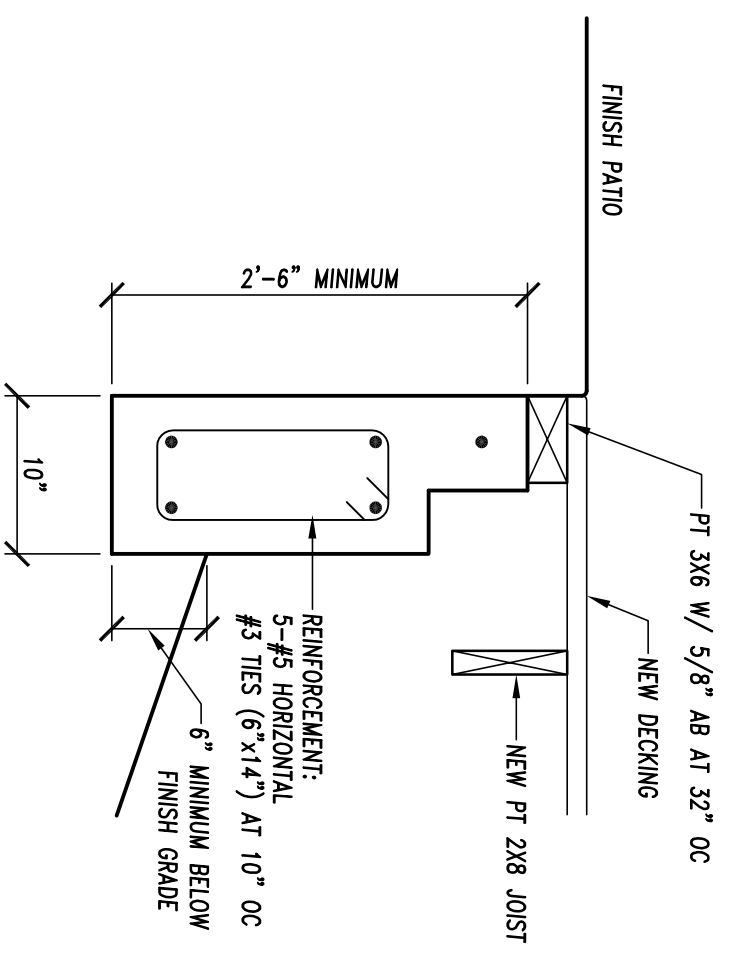
C BEAM CONNECTION DETAIL



D DECK SUPPORT AT EXISTING FOUNDATION



E NEW DECK FOOTINGS



F HEADWALL AT UPPER DECK